

**SOME WORDS TO KNOW INVOLVING BLOOD AND MARRIAGE**

**A. MATCH THE OPPOSITES:**

- |                |               |
|----------------|---------------|
| 1. mother      | a. ancestor   |
| 2. son         | b. child      |
| 3. brother     | c. daughter   |
| 4. descendant  | d. father     |
| 5. parent      | e. grandchild |
| 6. grandparent | f. sister     |

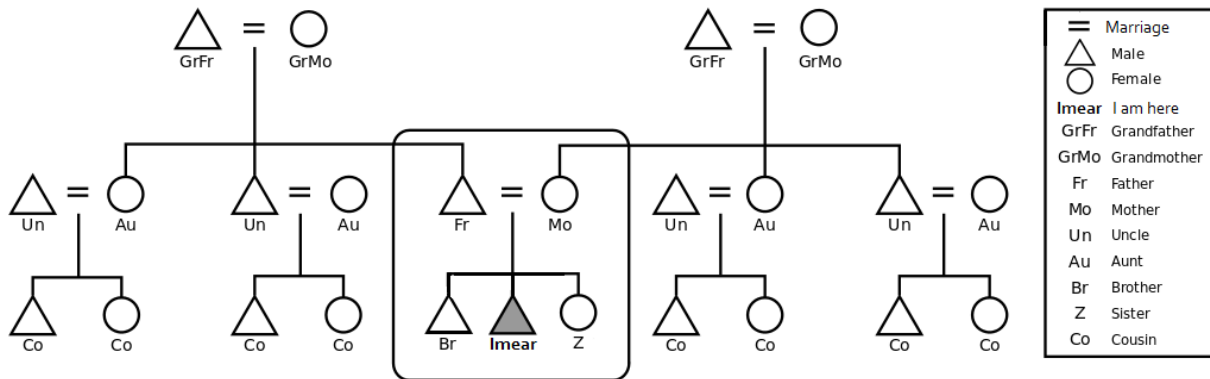
**B. USE THESE WORDS TO GIVE THE SAME IDEA: *baby bear birth daughter***

have a \_\_\_\_\_ = \_\_\_\_\_ a child = give \_\_\_\_\_ to a son or \_\_\_\_\_

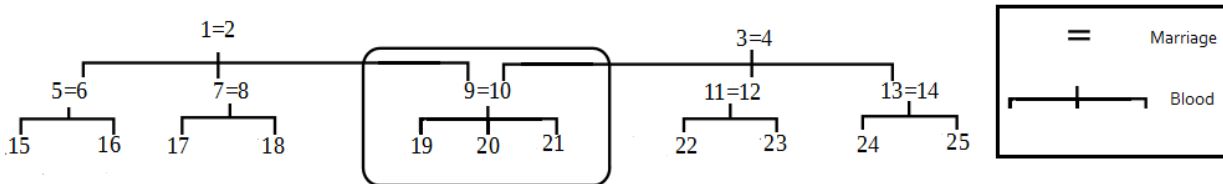
**C. WHAT IS THE WORD THAT MEANS:**

- |   |              |
|---|--------------|
| 1. a man who has a wife   | a. divorced  |
| 2. a woman who has a husband  | b. engaged   |
| 3. living together as husband and wife                                    | c. husband   |
| 4. no longer living together as husband and wife                          | d. married   |
| 5. someone who has never had close physical relations with another person | e. newlyweds |
| 6. marriage ceremony  | f. virgin    |
| 7. people who have recently married                                       | g. wedding   |
| 8. having promised to marry each other                                    | h. wife      |

**D. MORE WORDS INVOLVING MARRIAGE AND FAMILY (English Kinship Terms)**



The same chart as above is shown below, but using numbers instead of circles and triangles:



**FILL IN THE BLANKS:**

Number 20 is Imeal. (His name sounds like I'm here.) Number 19 is Imeal's brother and 21 is Imeal's \_\_\_\_\_.  
 Number 9 is Imeal's father and 10 is Imeal's \_\_\_\_\_. Numbers 1 and 3 are Imeal's \_\_\_\_\_, and 2 and 4  
 are Imeal's \_\_\_\_\_. Numbers 5, 7, 11, and 13 are Imeal's \_\_\_\_\_, and numbers 6, 8, 12, and 14 are  
 Imeal's \_\_\_\_\_. Numbers 15, 16, 17, 18, 22, 23, 24, and 25 are Imeal's \_\_\_\_\_.

## CONTRASTS with 'but'

### A. SIMPLE CONTRASTS WITH 'but'

|   |  |  |
|---|--|--|
| EXAMPLES  | This woman is young, but that woman is old.  | This cup is empty, but that cup is full.   |
| USE WORDS IN THE LEFT SENTENCE IN THE OTHER SENTENCES | I work in the day and I sleep at night, but my brother works at night and sleeps in the day. | I work in the day, but my brother works at _____.<br>I sleep at night, but my brother sleeps _____.<br>I work in the day, but my brother _____ in the day.<br>I sleep at night, but my brother _____ at night. |

### B. CONTRAST GENESIS 2 AND MATTHEW 1

| Genesis 2:18-25   | Matthew 1:18-25  |
|---|--|
| 18 Then the Lord God said, "It is not good for the man to be alone. I will make a helper who is right for him."   | 18 The mother of Jesus Christ was Mary. And this is how the birth of Jesus came about.   |
| 19 From the ground God formed every wild animal and every bird in the sky. He brought them to the man so the man could name them. Whatever the man called each living thing, that became its name. 20 The man gave names to all the tame animals, to the birds in the sky and to all the wild animals. But Adam did not find a helper that was right for him. | Mary was engaged to marry Joseph. But before they married, she learned that she was going to have a baby. She was pregnant by the power of the Holy Spirit.  |
| 21 So the Lord God caused the man to sleep very deeply. While the man was asleep, God took one of the ribs from the man's body. Then God closed the man's skin at the place where he took the rib. 22 The Lord God used the rib from the man to make a woman. Then the Lord brought the woman to the man.   | 19 Mary's husband, Joseph, was a good man. He did not want to disgrace her in public, so he planned to divorce her secretly.   |
| 23 And the man said,<br><br>"Now, this is someone whose bones came from my bones. Her body came from my body. I will call her 'woman,' because she was taken out of man."   | 20 While Joseph thought about this, an angel of the Lord came to him in a dream. The angel said,<br><br>"Joseph, descendant of David, don't be afraid to take Mary as your wife. The baby in her is from the Holy Spirit. 21 She will give birth to a son. You will name the son Jesus. Give him that name because he will save his people from their sins." |
| 24 So a man will leave his father and mother and be united with his wife. And the two people will become one body.  | 22 All this happened to make clear the full meaning of what the Lord had said through the prophet:<br><br>23 "The virgin will be pregnant. She will have a son, and they will name him Immanuel." This name means "God is with us."  |
| 25 The man and his wife were naked, but they were not ashamed.  | 24 When Joseph woke up, he did what the Lord's angel had told him to do. Joseph married Mary. 25 But he did not have intimate relations with her until she gave birth to the son. And Joseph named the son Jesus.  |

FILL IN THE BLANKS WITH THE FOLLOWING WORDS:

a man                      care                      garden                      made                      save                      the ground  
but                          first                          Jesus                      not                          second                      a woman

1 In Genesis, God made animals and a man from \_\_\_\_\_, but in Matthew, God made a man from \_\_\_\_\_.

2 In Genesis, God \_\_\_\_\_ a woman from a man, but in Matthew, God made \_\_\_\_\_ from a woman.

3 In Genesis, all people came from a human father, \_\_\_\_\_ in Matthew, a person whose name is Jesus, did \_\_\_\_\_ come from a human father.

4 In Genesis, Adam was the \_\_\_\_\_ man that God made, but in Matthew, Jesus was the \_\_\_\_\_ man that God made.

5 In Genesis, God was with the first people in the \_\_\_\_\_, but in Matthew, God is with us in \_\_\_\_\_.

6 In Genesis, God made Adam to take \_\_\_\_\_ of the garden, but in Matthew, God made Jesus to \_\_\_\_\_ his people from their sins.

The Blessing <https://www.youtube.com/watch?v=OKd0B2YhHpk>

ONE

|                                   |              |                |
|-----------------------------------|--------------|----------------|
| The Lord bless you                | <i>ble</i>   | <i>ssyou</i>   |
| And keep you                      | <i>kee</i>   | <i>pyou</i>    |
| Make His face _____ upon you      | <i>nu</i>    | <i>po nyou</i> |
| And be gracious to you            |              |                |
| The Lord turn His face toward you | <i>t'war</i> | <i>dyou</i>    |
| And give you _____                |              |                |

Amen Amen Amen      Amen Amen Amen

REPEAT ONE

Amen Amen Amen      Amen Amen Amen

TWO

|                 |             |            |           |           |             |
|-----------------|-------------|------------|-----------|-----------|-------------|
| May His favor   | be upon you | <i>be</i>  | <i>yu</i> | <i>po</i> | <i>nyou</i> |
| And a thousand  | generations |            |           |           |             |
| And your _____  | And _____   | <i>fam</i> | <i>ly</i> |           |             |
| And their _____ | And _____   |            |           |           |             |

REPEAT TWO

THREE

|                  |                 |
|------------------|-----------------|
| May His presence | go _____ you    |
| And _____ you    | And _____ you   |
| All _____ you    | And _____ you   |
| He is _____ you  | He is _____ you |

|                 |                |
|-----------------|----------------|
| In the _____    | In the _____   |
| In your _____   | And your _____ |
| In your weeping | And rejoicing  |

|               |               |
|---------------|---------------|
| He is for you | He is for you |
| He is for you | He is for you |
| He is for you | He is for you |
| He is for you | He is for you |

Amen Amen Amen      Amen Amen Amen

REPEAT THREE but only one "He is for you"

FILL IN THE BLANKS WITH THESE WORDS:

|        |          |         |        |
|--------|----------|---------|--------|
| around | children | going   | their  |
| before | coming   | morning | with   |
| behind | evening  | peace   | within |
| beside | family   | shine   | your   |